

# **Rainbow4(s) Quick Start Guide**

Version: 1.0

2014-10-17

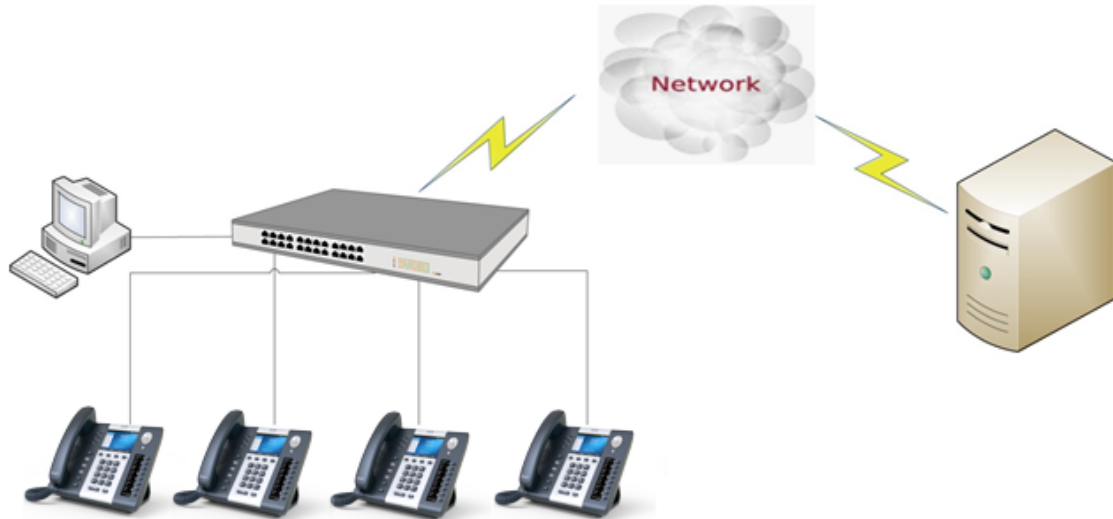
## Content

1、 Installation and access .....	3
1.1 Connection .....	3
1.2 Stand bracket installation instruction .....	3
1.3 Interface description .....	4
1.4 Check IP address .....	5
1.5 Enter the Setting of telephone .....	5
2、 Quick Configuration.....	6
2.1、 Network Configuration.....	6
2.2、 Account Configuration .....	8

## 1. Installation and access

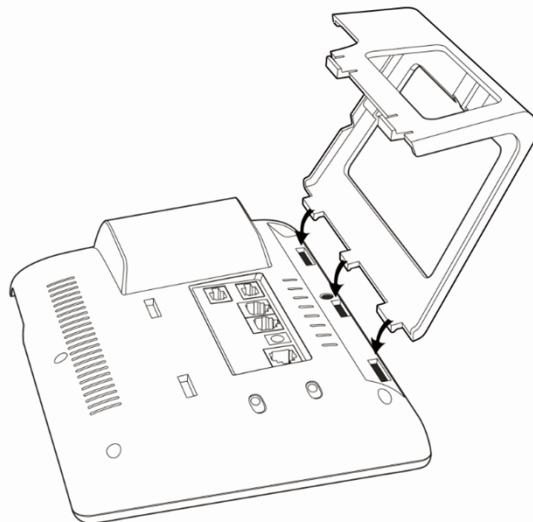
### 1.1 Connection

Set up Rainbow 4(s) as below:

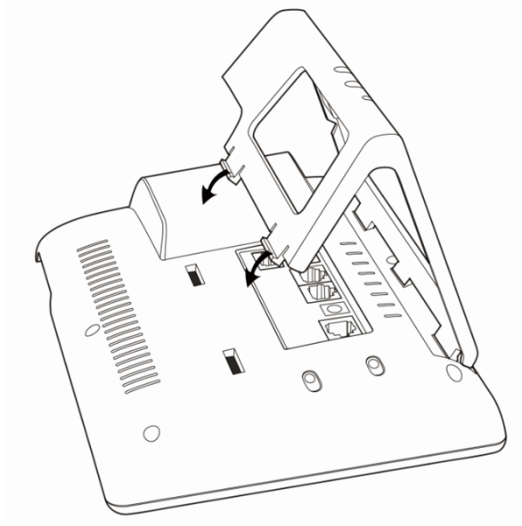


### 1.2 Stand bracket installation instruction

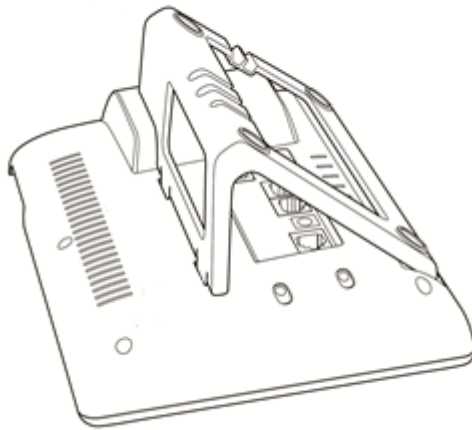
A. Put the bottom side of the IP phone upside and press one-side joints of stand bracket into the slot, please refer the picture as below:



B. Press the other side joints into the slot according to the direction of the arrow:

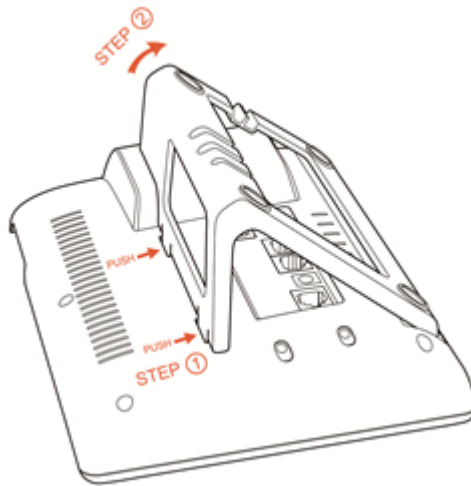


C. It is the right picture after fixing the stand bracket below:



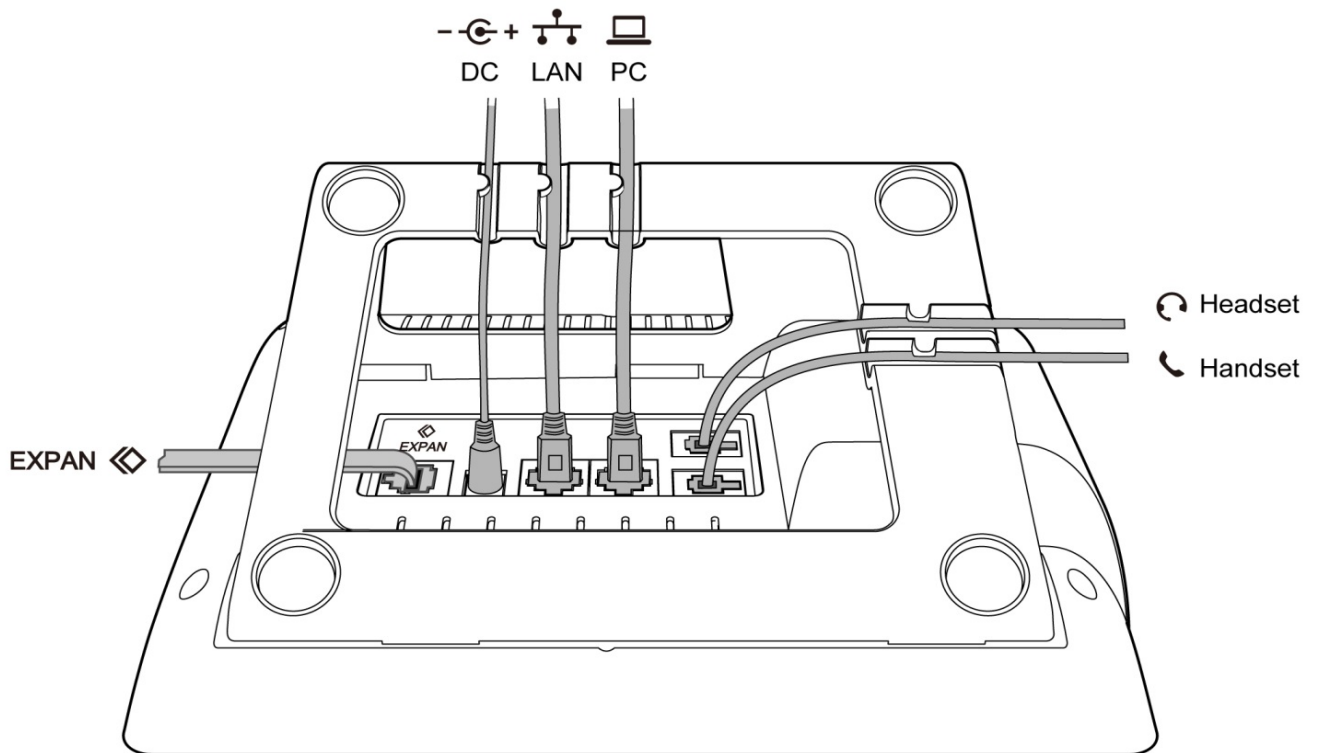
D. Disassemble the stand bracket:

Push the spring joint of stand and pull the stand according to the direction of the arrow. When the joints are pulled out of the slot, you can take off the stand bracket:



### 1.3 Wiring instruction

After stand bracket fixed, please plug in all wires or cables as below:



### 1.4 Check IP

Rainbow4(s) uses DHCP mode by default, and you can review its current IP

address by pressing key when it is powered on and connected to the network.

## 1.5 Enter the Setting of telephone

Connect the PC and telephone in one network, input the IP address of telephone at a browser and press "Enter", you will be required to input the username and password to access the web page. The username/password as below:

Username	Password	Description
admin	admin	For Administrators
user	user	For General Users

## 2、 Wizard

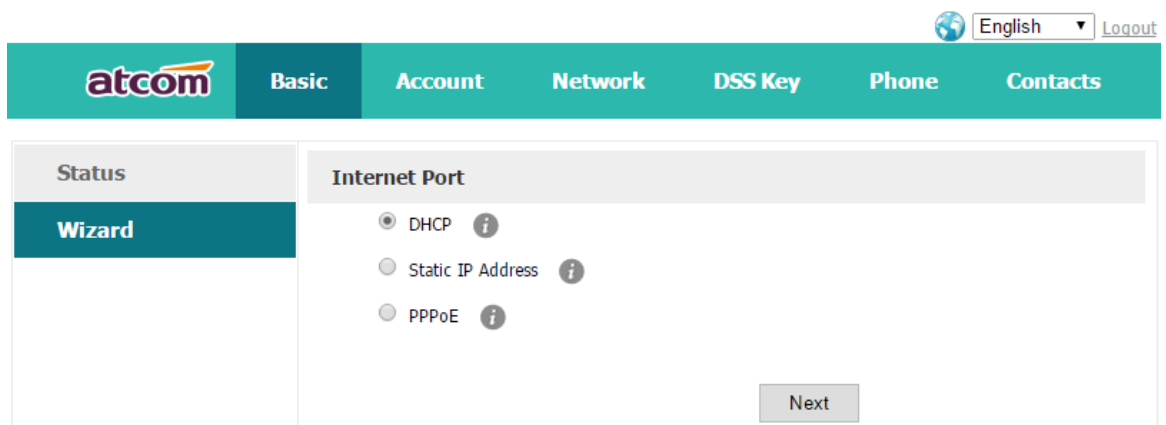
After log in the webpage, you're able to set the telephone by quick configuration. Configure the telephone quickly via Web: **Basic**→**Wizard**

User should set the below two parts in turn,

1. Network——LAN Port;
2. Account——SIP。

### 2.1、 Network Configuration

There is 3 options for network access,



1. If chosen DHCP, the telephone will be assigned a IP address automatically, click the button "Next" to enter the web page of "Account Configuration".
2. If chosen Static IP, user should input the IP address manually for the telephone, click the button "Next" to enter the web page of "Static IP Address".

English Logout

atcom Basic Account Network DSS Key Phone Contacts

Status Wizard

Static Ip Settings

\* IP Address 192.168.1.149

\* Subnet Mask 255.255.255.0

\* Default Gateway 192.168.1.1

Primary DNS 8.8.8.8

Secondary DNS 4.4.4.4

Back Next

After IP address filled manually, click the button "Next" to enter the web page of "Account Configuration", or click the button "Back" to back to web page of "Network Configuration".

3. If chosen PPPoE, user should input the username/password (provide by ISP) of PPPoE manually and then click the button "Next" to enter the web page of "PPPoE",

English Logout

atcom Basic Account Network DSS Key Phone Contacts

Status Wizard

PPPoE Settings

\* User pppoe

\* Password .....

Back Next

After the username/password of PPPoE filled manually, click the button "Next" to enter the web page of "Account Configuration", or click the button "Back" to back to web page of "Network Configuration".

Network Configuration can be completed in below webpage,

English ▼ [Logout](#)

atcom
Basic
Account
Network
DSS Key
Phone
Contacts

Basic

Advanced

### Internet Port

DHCP i

Static IP Address i

\* IP Address

\* Subnet Mask

\* Default Gateway

Primary DNS

Secondary DNS

PPPoE i

\* User

\* Password

## 2.2. Account Configuration

The account configuration info will be saved to Line 1.

English ▼ [Logout](#)

atcom
Basic
Account
Network
DSS Key
Phone
Contacts

Status

Wizard

### SIP Settings

Account Active

Label

Display Name

Register Name

\* User Name

Password

\* SIP Server  Port

Click the button "Finish" to save network configuration and account configuration, and click "Back" back to the previous web page.



Account Configuration can be completed in below webpage,

English ▼ [Logout](#)

---

**atcom**   Basic   **Account**   Network   DSS Key   Phone   Contacts

Basic	Account	Account 1 <span>▼</span>
Codecs	Register Status	Register failed
Advanced	Account Active	Enable <span>▼</span>
	Label	<input type="text"/> <span>i</span>
	Display Name	<input type="text"/> <span>i</span>
	Register Name	<input type="text"/> <span>i</span>
	* User Name	6030 <span>i</span>
	Password	.... <span>i</span>
	* SIP Server	192.168.1.123 Port 5060 <span>i</span>
	Enable Outbound Proxy Server	Disable <span>▼</span> <span>i</span>
	Outbound Proxy Server	<input type="text"/> Port 5060 <span>i</span>
	Transport	UDP <span>▼</span> <span>i</span>
	NAT Traversal	Disable <span>▼</span> <span>i</span>
	STUN Server	<input type="text"/> Port 3478 <span>i</span>