

# **Rainbow2 Quick Start Guide**

Version 1.0

2014-03-21

---

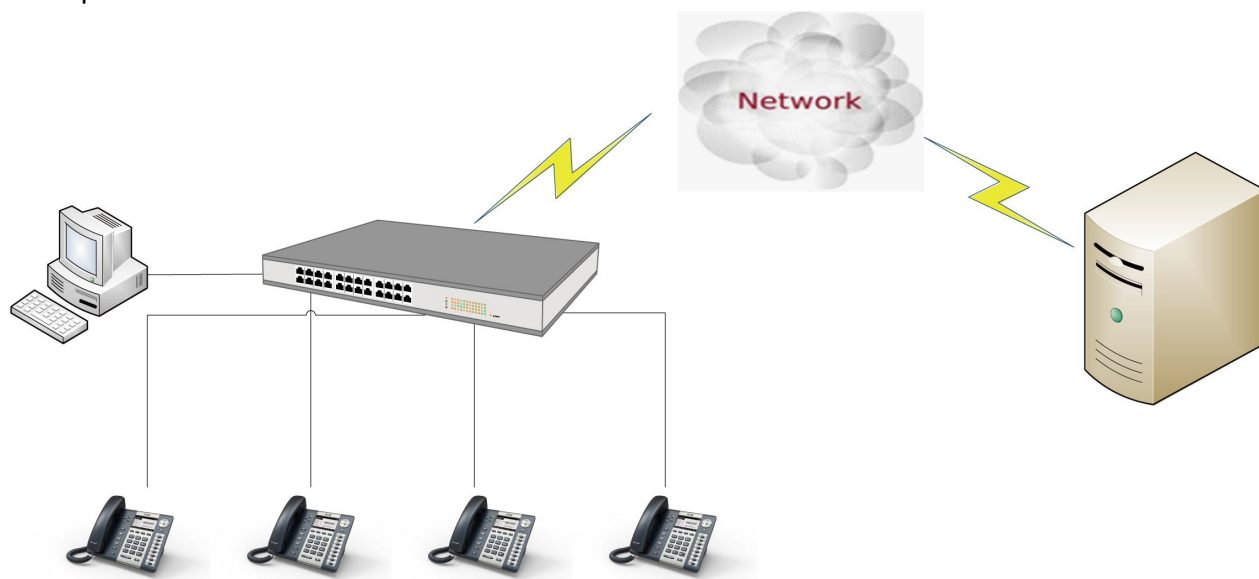
## Content

1.	Installation and access.....	3
1.1	Connection.....	3
1.2	Stand bracket installation instruction.....	3
1.3	Programmable keys' paster using instruction.....	7
1.4	Check IP.....	8
1.5	Login to web.....	8
2.	Configure phone to register SIP account.....	8
2.1	Network Configuration.....	8
2.2	Account Configuration.....	10

## 1. Installation and access

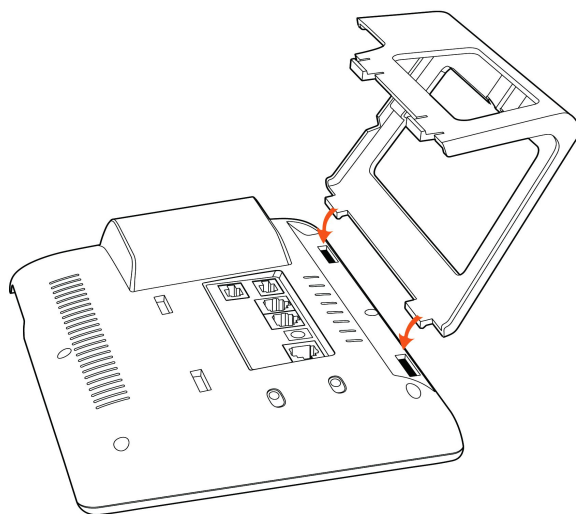
### 1.1 Connection

Set up Rainbow2 as below:

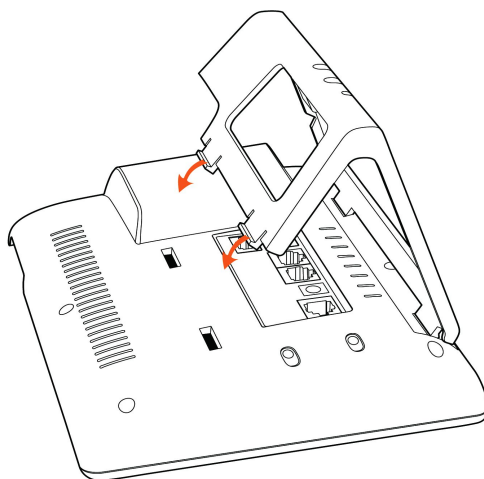


### 1.2 Stand bracket installation instruction

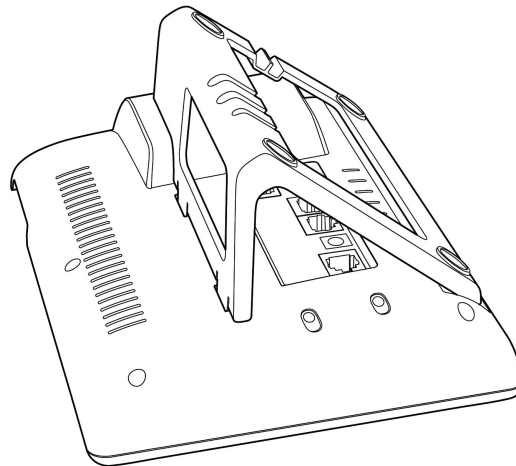
A. Put the bottom side of the IP phone upside and press one-side joints of stand bracket into the slot, please refer the picture as below:



B. Press the other side joints into the slot according to the direction of the arrow:

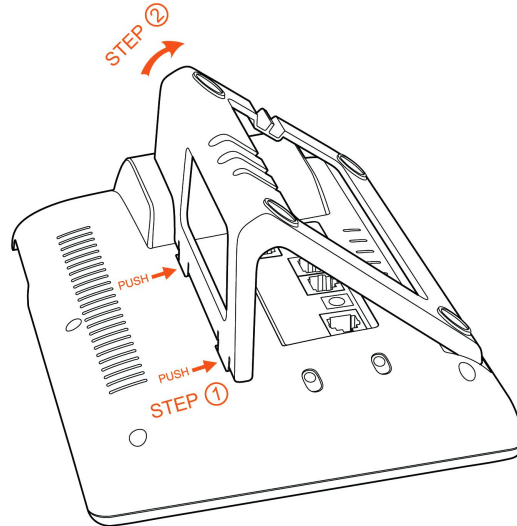


C. It is the right picture after fixing the stand bracket below:

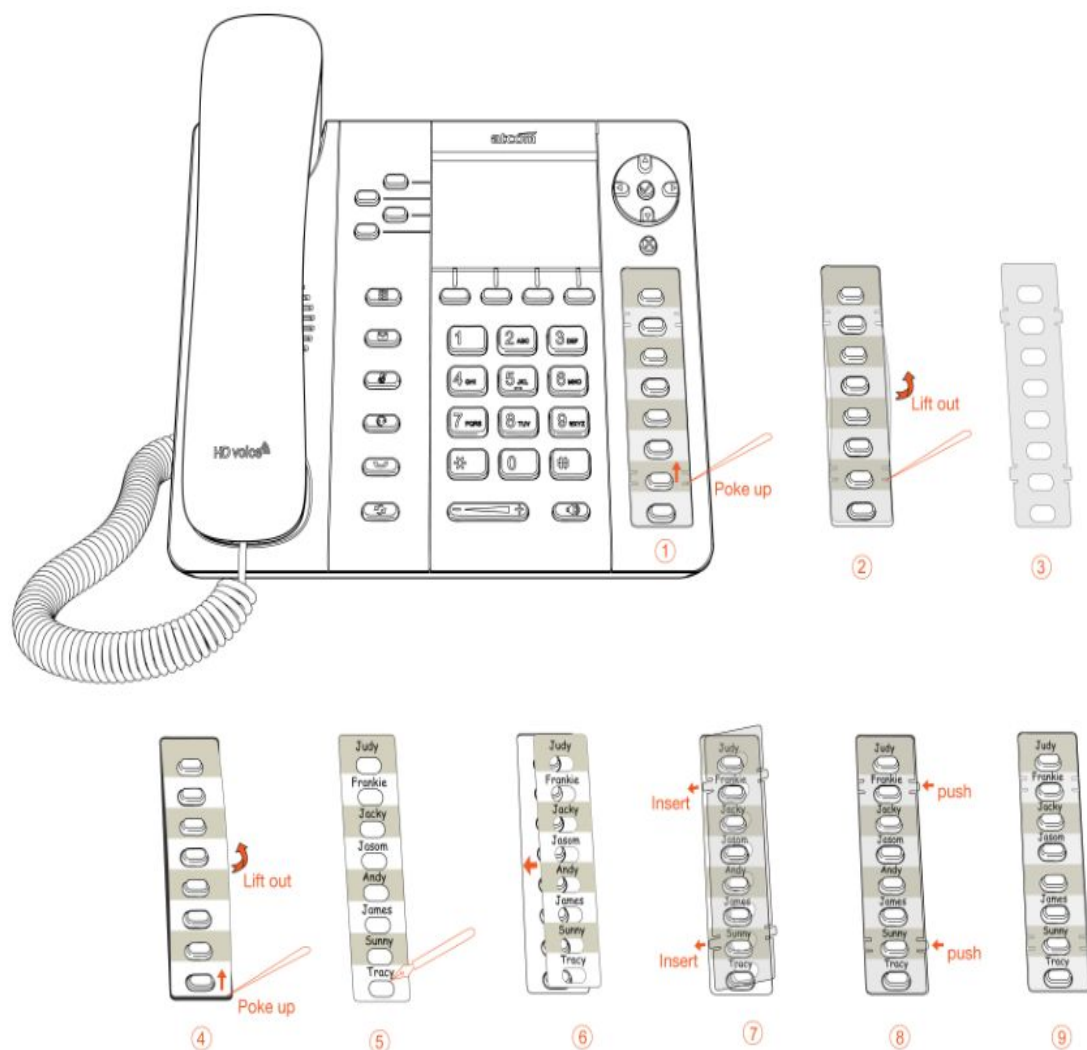


**D. Disassemble the stand bracket:**

Push the spring joint of stand and pull the stand according to the direction of the arrow. When the joints are pulled out of the slot, you can take off the stand bracket



## 1.3 Programmable keys' paster using instruction



Step1. Use needle or some other tools to insert into the hole of the plastic sheet, hog the plastic sheet.

Step2. Lift out the plastic sheet

Step3. Take off the plastic sheet

Step4. Use needle or some other tools to insert into the edge of the paster, hog and lift out the paster

Step5. Write down the identification of each programmable key on the paster after taking off the paster

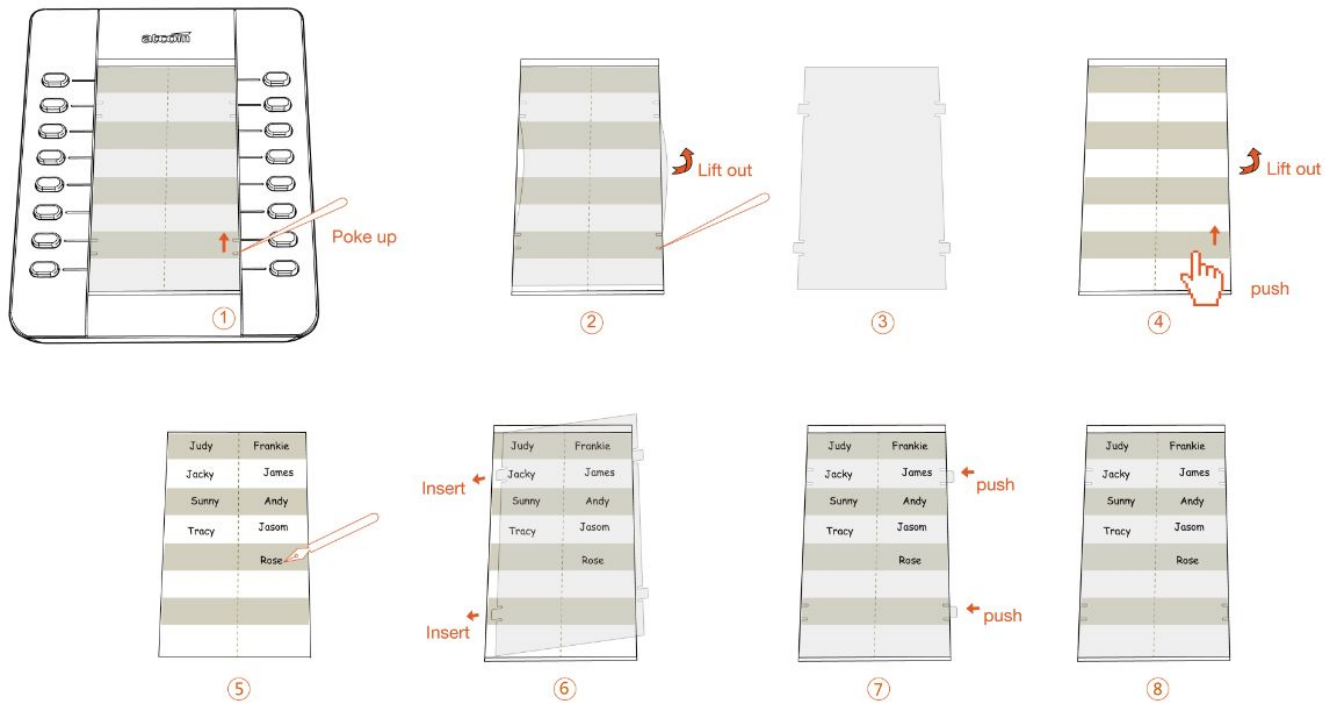
Step6. Put back the paster

Step7. Insert the plastic sheet into the slot

Step8. Push the other side of the plastic sheet into the other slot

## Rainbow E's paster using instruction

Steps to use Rainbow E's paster are the same as programmable keys' as below:



### 1.4 Check IP

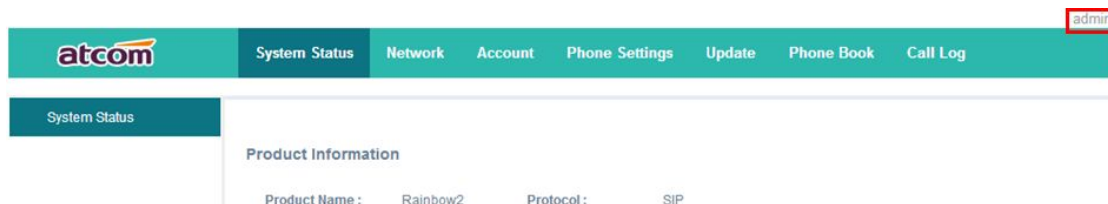
Rainbow2 uses DHCP mode by default, and you can review its current IP address

by pressing key when it is powered on and connected to the network.

### 1.5 Login to web

Modify your computer's IP address to the same network as Rainbow2. Enter Rainbow2's IP address in the web browser and press Enter, you will access to Rainbow2's user webpage without password.

Click "admin" which is on the right corner to enter administrator webpage.





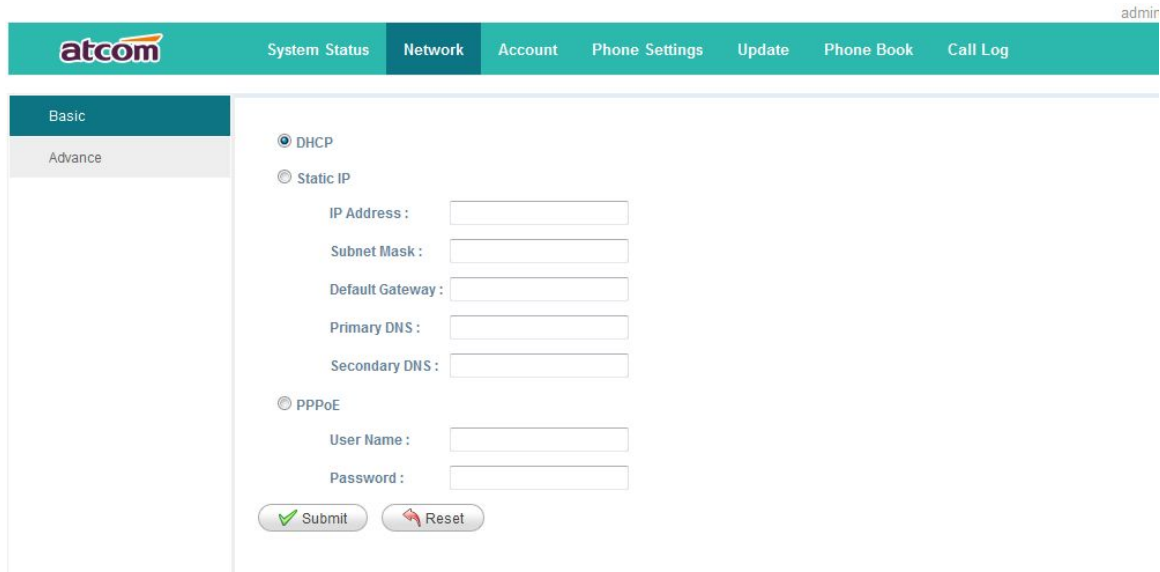
## 2. Configure phone to register SIP account

### 2.1 Network Configuration

#### LAN Port Configuration

Enter "Network" -> "Basic" page.

There are 3 ways to connect to internet DHCP, Static and PPPoE, please choose one according to your own situation.



- ✓ Network mode: you can choose DHCP, Static and PPPoE
- ✓ DHCP: Rainbow2 default to use DHCP to obtain IP from DHCP Server.
- ✓ Static: If you want to set the IP as static, you should fill IP, Netmask, Gateway and DNS information.
- ✓ PPPoE: If Rainbow2 is connected to the modem, you should fill ADSL account and password which are assigned by your network service provider.

#### Password Configuration

Enter "Network" -> "Advance" page.

There are 2 modes to set the authority of web accessing and command line: User mode and Admin mode. All the parameters can be visible and changed in Admin mode while part of them can be visible in User mode.

##### Web Server

Enable Web Server :	<input type="text" value="Yes"/>	
Admin Password :	<input type="text"/>	User Password : <input type="text"/>
HTTP Port :	<input type="text" value="80"/>	

- ✓ Enable Web Server: enable or disable web access. If choose "no", you can not access Rainbow2's webpage.
- ✓ Admin password: set admin webpage access password.(username:admin)
- ✓ User password: set user webpage access password.(username:user)

### 2.2 Account Configuration

Enter "Account" -> "SIP" page to configure SIP account which is provided from the SIP Server.

#### SIP

Enable :	<input type="text" value="Yes"/>	User ID :	<input type="text"/>
Display Name :	<input type="text"/>	Password :	<input type="text"/>
Authenticate ID :	<input type="text"/>	SIP Port :	<input type="text" value="5060"/>
SIP Server :	<input type="text"/>	SIP Redundancy Server :	<input type="text"/>
Use Outbound Proxy :	<input type="text" value="No"/>	Outbound Proxy Port :	<input type="text" value="5060"/>
Outbound Proxy Server :	<input type="text"/>	Subscribe Expires :	<input type="text" value="3600"/>
Register Expires :	<input type="text" value="300"/>	SIP 100Rel Require :	<input type="text" value="No"/>
Transport Type :	<input type="text" value="UDP"/>	Early Update Enable :	<input type="text" value="No"/>
Session Timer Enable :	<input type="text" value="No"/>	AutoSubscribeMWIEnable :	<input type="text" value="No"/>
Caller ID Display :	<input type="text" value="No"/>	Server List :	<input type="text" value="Common"/>
Server List :	<input type="text" value="Common"/>	Dns Mode :	<input type="text" value="A Record"/>
BLF List URI :	<input type="text"/>		

- ✓ Enable: whether enable this SIP register.
- ✓ Display Name: This name will display on the screen of Rainbow2. It will display the name configured for the SIP account by the SIP server preferentially. It can also be kept blank.
- ✓ User ID: Username of SIP account.
- ✓ Authenticate ID: normally is the same as User ID, can also be kept blank if there is no special requirement from the SIP server.
- ✓ Password: Password of SIP account.
- ✓ Sip Server: SIP server address, support both IP address and domain name.
- ✓ Sip Port: SIP server port, default is 5060.

After configured and clicked 'Submit' to enable register this account, please check the status of this account in System Status page. The Registration State will be registered if this account registered successfully.

atcom

System Status   Network   Account   Phone Settings   Update   Phone Book   Call Log

System Status

**Product Information**

Product Name :	Rainbow2	Protocol :	SIP
Software Version :	1.4.0	Hardware Version :	
Mac Address :	80:82:87:01:86:5A	Serial Number :	R2X140100023

**Network Information**

Type :	DHCP	Current IP :	172.16.0.116
Current Netmask :	255.255.255.0	Current Gateway :	172.16.0.1
Primary DNS :	202.96.134.133	Secondary DNS :	202.96.128.86
Host Name :		Domain :	
VPN State :	Disable	VPN IP :	

**Account 1 Information**

Registration State :	Registered	Proxy :	172.16.0.55
User ID :	5069	Message Waiting :	Yes
Last Registration At :	01/01/2000 00:00:00	Next Registration In :	300 s

**Account 2 Information**

Registration State :	Not registered	Proxy :	
User ID :		Message Waiting :	Yes
Last Registration At :		Next Registration In :	

**Account 3 Information**

Registration State :	Not registered	Proxy :	
----------------------	----------------	---------	--